



Since 1977

...Leadership Through Research

Flameproof Enclosure for Clean Room Monitor



The Flameproof enclosure GEFP05 is specifically designed for housing of Clean Room Monitors and packaged in a compact shallow enclosure to allow installation in prefab Clean Room **Panels of thickness 50mm or more.**

Picture shown is representative. Instrument is not part of enclosure

FEATURES

- Certified Flameproof as per IS/IEC 600079-0(2007) & IS/IEC 600079-1 (2007), Gas Group IIA, IIB
- Compact and Slim design for Wall or panel mounting
- Installs in 50mm deep Clean Room panels.
- Suitable for Global CR131 LED display or LCD display instruments

SPECIFICATIONS

Material	: Light Aluminium Alloy
Display Window	: 125 x 125mm Toughened Glass
Dimensions	: 210 (H) x 210 (W) x 47 (D) mm
Finish	: Powder coated, White
Cable Entries	: 5 Nos.
Accessories	: 2 x Plated Steel Mounting bracket, Internal mounting plate
Certification	: Flameproof as per IS/IEC 600079-0(2007) & IS/IEC 600079-1 (2007), Gas Group IIA, IIB ERTL (E)/TES/G106/0024/12-17

OPTIONS:

- SS 304 Faceplate : 270 x 270mm
- Acknowledge Push button on enclosure face.
- Certified Double compression Cable glands.

GLOBAL ELECTRONICS AN ISO 9001:2015 COMPANY

3-5-331, NARAYANGUDA, HYDERABAD-500029. INDIA

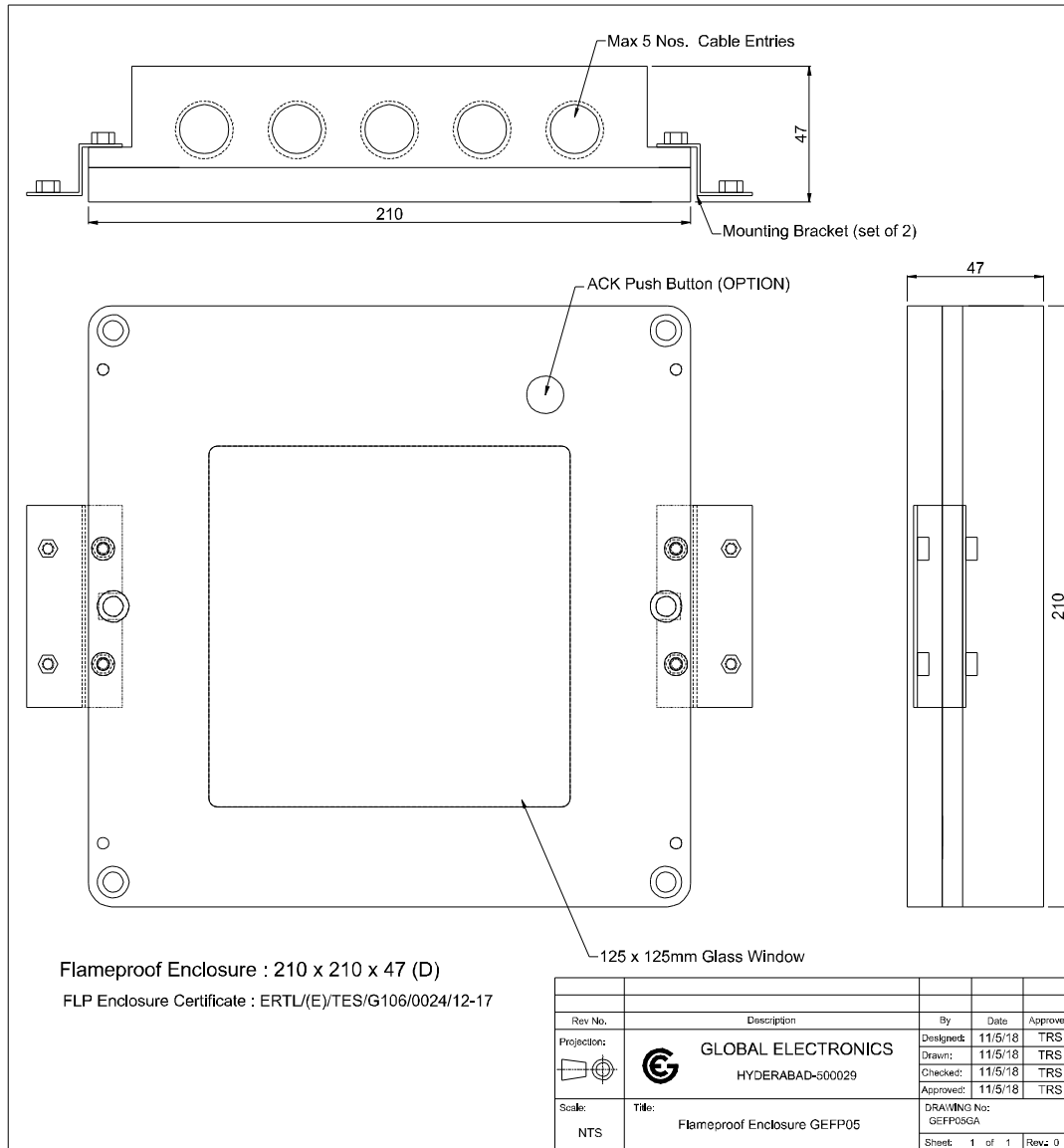
PH: +91 402322 1391, 23226687 FAX: +91 402322 2484 email: Info@ge-india.com URL: <http://www.ge-india.com>



Since 1977

...Leadership Through Research

Enclosure GA Drawing



GLOBAL ELECTRONICS AN ISO 9001:2015 COMPANY

3-5-331, NARAYANGUDA, HYDERABAD-500029. INDIA

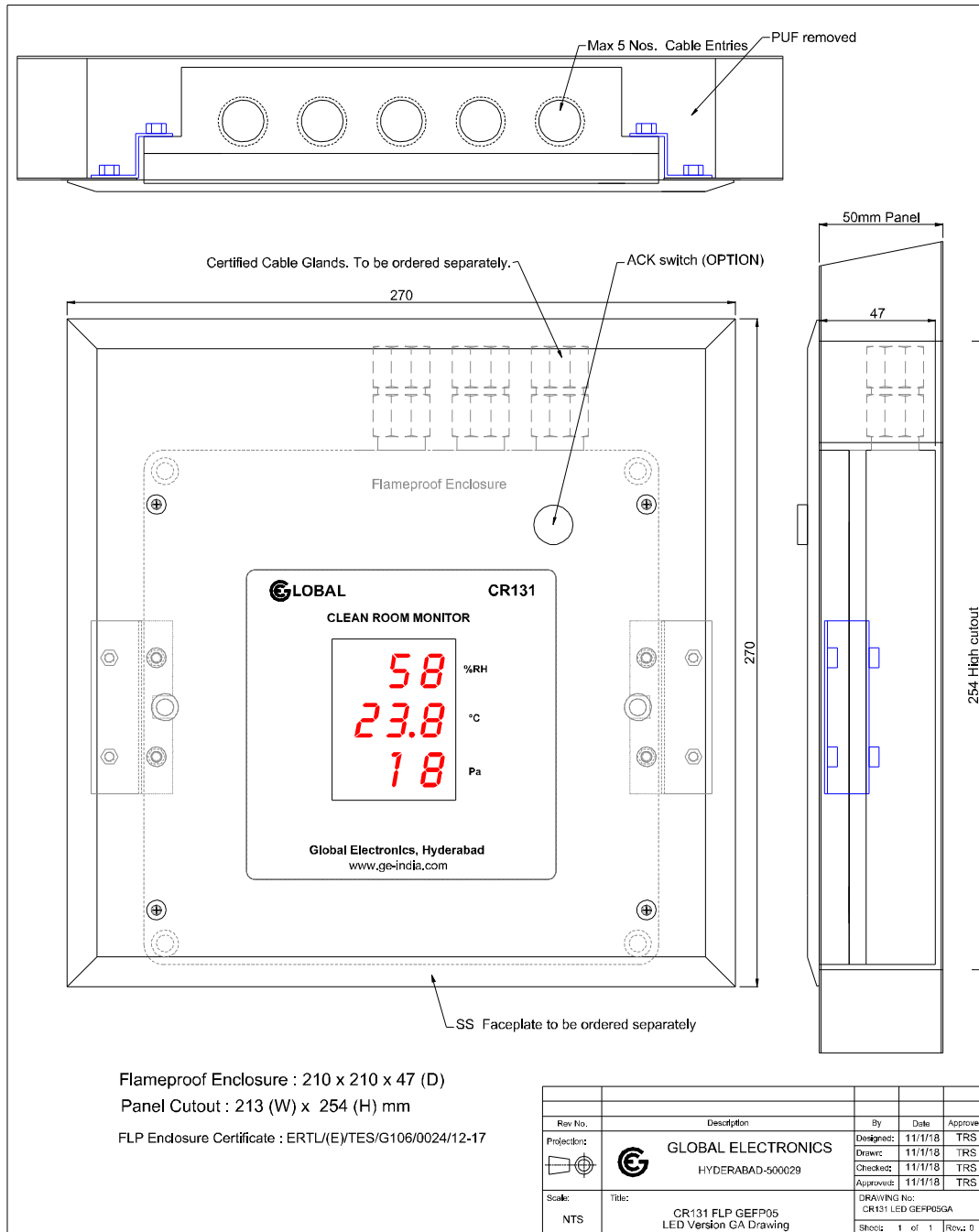
PH: +91 402322 1391, 23226687 FAX: +91 402322 2484 email: Info@ge-india.com URL: http://www.ge-india.com



Since 1977

...Leadership Through Research

Illustrative GA drawing of Enclosure with LED display Instrument



GLOBAL ELECTRONICS AN ISO 9001:2015 COMPANY

3-5-331, NARAYANGUDA, HYDERABAD-500029. INDIA

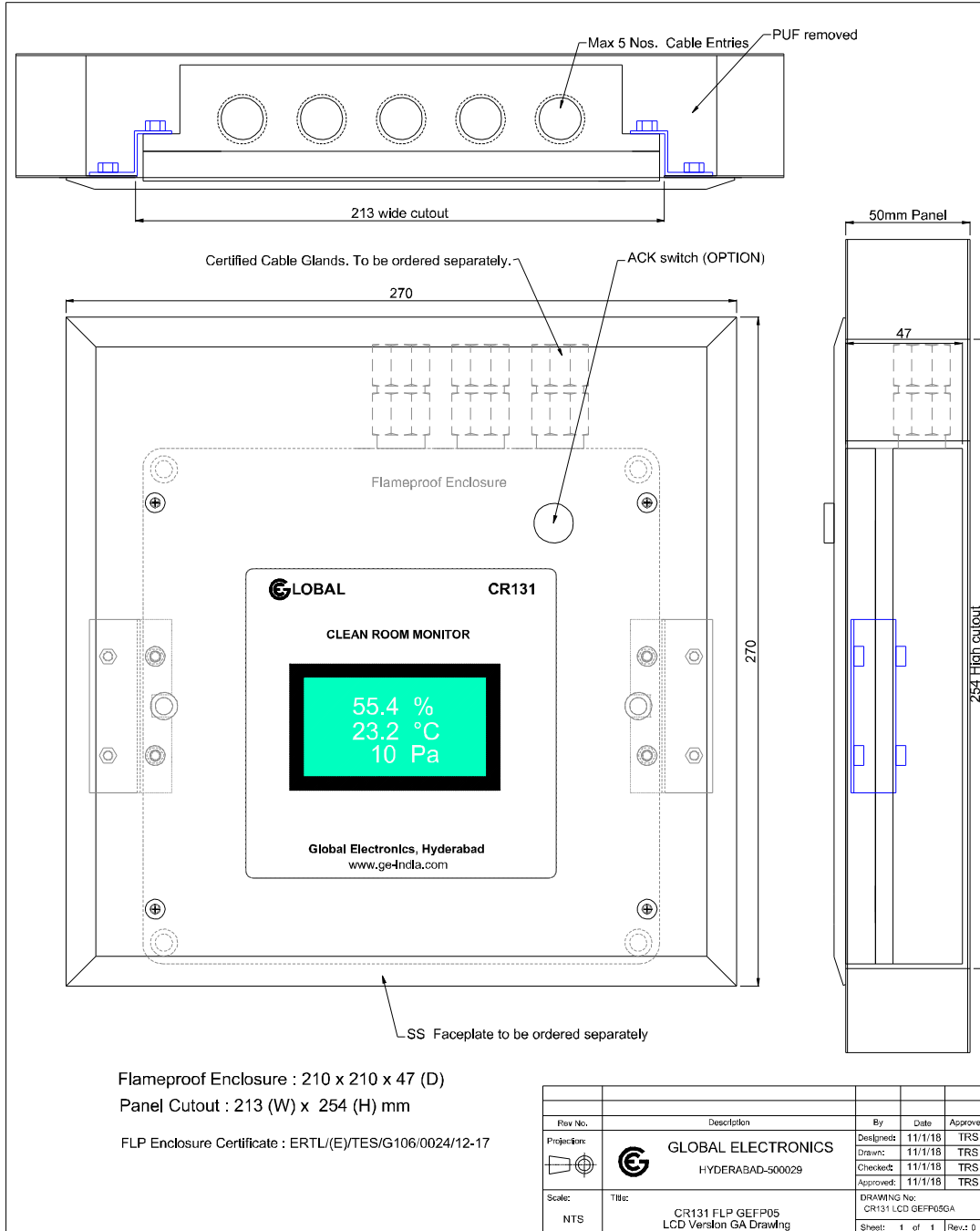
PH: +91 402322 1391, 23226687 FAX: +91 402322 2484 email: Info@ge-india.com URL: http://www.ge-india.com



Since 1977

...Leadership Through Research

Illustrative GA drawing of Enclosure with LCD display Instrument



GLOBAL ELECTRONICS AN ISO 9001:2015 COMPANY

3-5-331, NARAYANGUDA, HYDERABAD-500029. INDIA

PH: +91 402322 1391, 23226687 FAX: +91 402322 2484 email: Info@ge-india.com URL: http://www.ge-india.com